

# Professional Grade

# Fertigation™

# Landscapes

## L500 Series

### Proportional Rate Injection

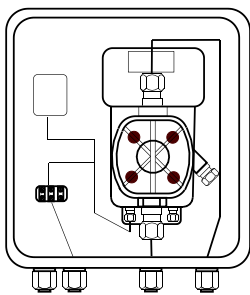
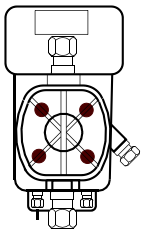
### Application

Landscapes and parks  
Turfgrass and shrubs

Spray Rotors and Drip

### Area coverage

1 to 7 acres



**L500 Series - Proportional Rate injector** is designed to be used on irrigation systems with unequal zones with varying flow rates from spray rotors to drip and deliver consistent accurate PPM applications.

## Landscape Series

The importance of green parks and landscapes is realized today in our communities and cities as green assets of the community. Fertigation offers the managers a simple method to feed through the irrigation system and irrigate with Fertile Water™ and produce a healthy plant. Fertigation will reduce labor, save water and produce a quality landscape.

The Landscape Series offers three models to satisfy areas from one to over seven acres. The pumps can be installed indoors or outdoors in a lockable enclosure, with an underground tank.



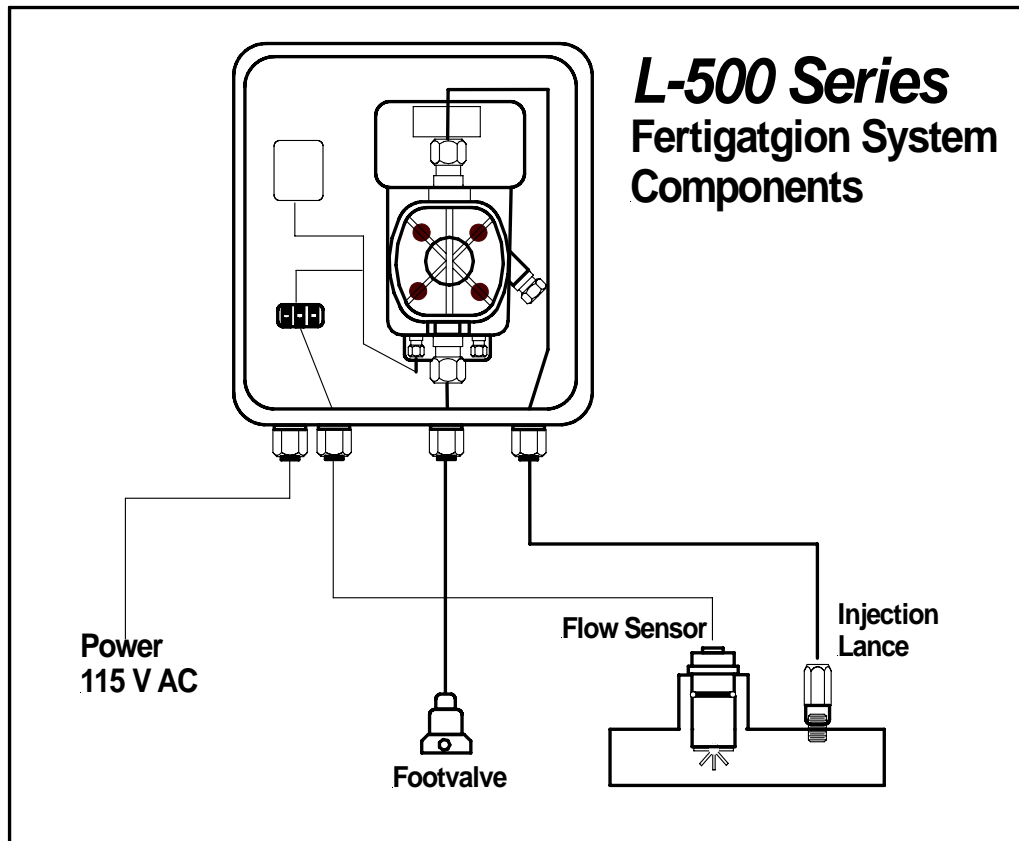
**Fertilizer tank is below ground**

*(See Specifications on the back page )*



**Turf Feeding Systems - (800) 728-4504**

# *Landscape Series - L500*



This proportional fertigation system is controlled by water flow, with a flow sensor installed in the irrigation line. The pump capacity is determined by the irrigated area as is the size of the storage tank.

## **Specifications:**

	<b>Capacity</b>	<b>Area coverage</b>
<b>Model - L500A</b>	.6 gph	1 - 2
<b>L500B</b>	1.4 gph	2 - 4
<b>L500C</b>	3.0 gph	4 - 7

- Flow control - Flow sensor in irrigation – ½” to 10”
- Wall mounting is standard
- Outside Nema 4X all weather Fiberglass or Stainless Steel enclosure is optional
- Ground mounting hardware optional