

# Professional Grade Fertigation™

# Sports Turf

## L500 Series

Proportional  
Flow Control

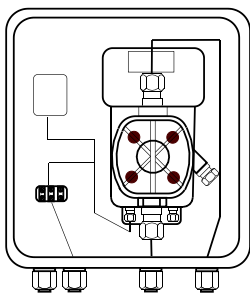
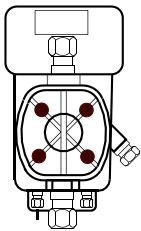
### Application

Sports Turf fields  
Turfgrass

Spray Rotors

### Area coverage

1 to 7 acres



**L500 Series - Proportional Rate injector** is designed to be used on irrigation systems with unequal zones with varying flow rates and deliver consistent accurate PPM applications.

## Sports Turf Series

Sport fields are important turfgrass areas faced with heavy use with increased popularity and demand. The biggest issues in field management are field recovery from heavy use and water conservation. Both issues are addressed with fertigation.

Fertigation delivers fast labor free recovery from field damage by simply increasing the fertigation rate and pushing the plant growth then returning to the maintenance setting. Field management is simple by adding fertigation to convert ordinary irrigation water into **Fertile Water™** the most efficient way to irrigate and fertilize.



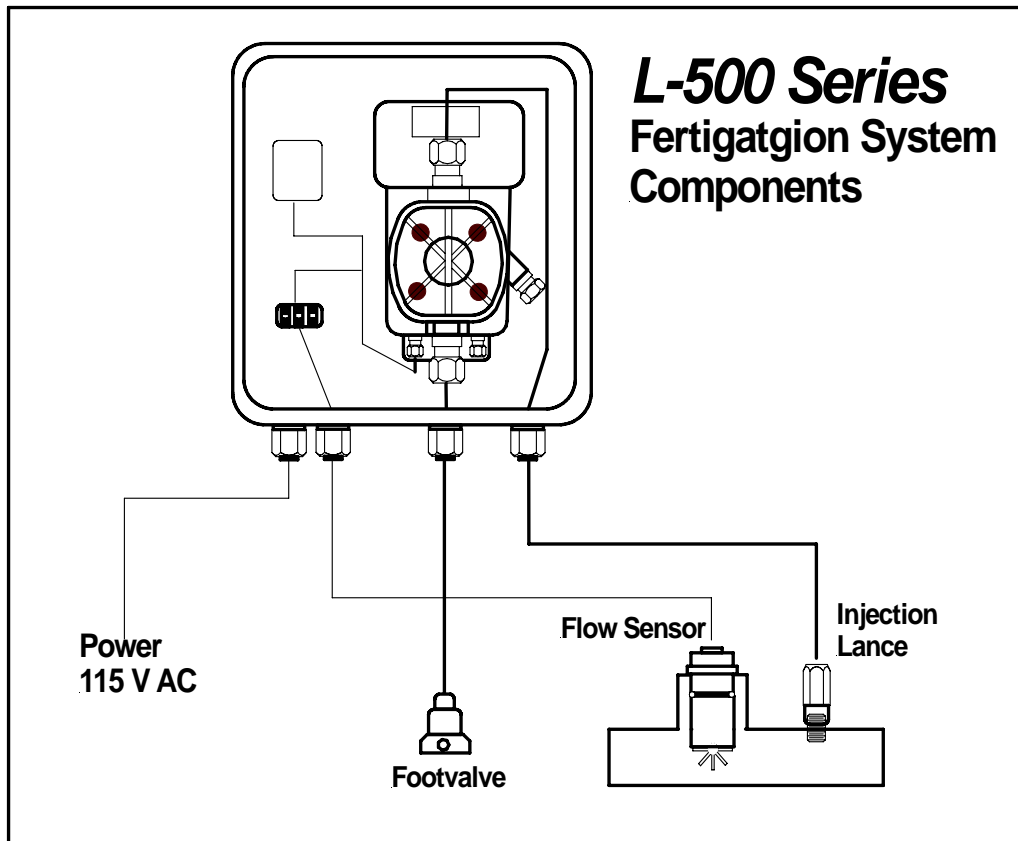
**Fertilizer tank is below ground**

( See back page for specifications)



**Turf Feeding Systems - (800) 728-4504**

# *Sport Turf Series - L500*



This proportional fertigation system is controlled by water flow, with a flow sensor installed in the irrigation line. The pump capacity is determined by the irrigated area as is the size of the storage tank.

## **Specifications:**

	<b>Capacity</b>	<b>Area coverage</b>
<b>Model - L500A</b>	.6 gph	1 - 2
<b>L500B</b>	1.4 gph	2 - 4
<b>L500C</b>	3.0 gph	4 - 7
	Pressures up to 150psi	

- Flow control - Flow sensor in irrigation – ½” to 10”
- Wall mounting is standard
- Outside Nema 4X all weather Fiberglass or Stainless Steel enclosure is optional
- Ground mounting hardware optional